

Semi-automatic high security lock

CombiLock



SECURITY CLASS 2 (CEN B)

Highlights

- Opening by rotating the keypad
- Closing by rotating the keypad with immediate bolt locking
- Lock release with additional transponder (RFID) possible
- Overwind protection when opening
- Rotary spindle with a diameter of 8 mm available as an option (existing bores at the safe can be used)
- Access protected unlocking of the keypad
- Especially suitable for retrofit (existing bores can be used)

Functions	CombiLock 200 simplex	CombiLock 200 pro	CombiLock 200 multi	CombiLock 200 RFID with PowerXT	CombiLock 200 multi RFID
Security class (VdS/ECB-S)	2/B	2/B	2/B	2/B	2/B
Switch motor/manual release	■	■	■	■	■
Master code	■	■	■	■	■
User codes	1	9	50	9	50
RFID transponder				9	50
CIT business possible				■	■
Quick unlocking code		■	■	■	■
Manipulation blockout	■	■	■	■	■
Dual code/opening		■	■	■	■
Protocol/date and time		1,024	1,024	1,024	1,024
PC software		CombiComm	CombiComm	CombiComm	CombiComm
Battery compartment in keypad (batteries not in scope of delivery)	2x (AA)	2x (AA)	2x (AA)		
Time programs		■	■	■	■
Unlocking/opening delay	■	■	■	■	■
Optional CombiXT: Blocking device/ancillary control equipment/locking monitoring (VdS C) for BAS integration. Power supply connection*		■	■	■	■
Power supply unit connection PowerXT	Optional	Optional	Optional	■	■

* PowerXT not required when using CombiXT

System Components

Standard



Control panel
CombiControl CL38



Lock
INSYS Lock 200

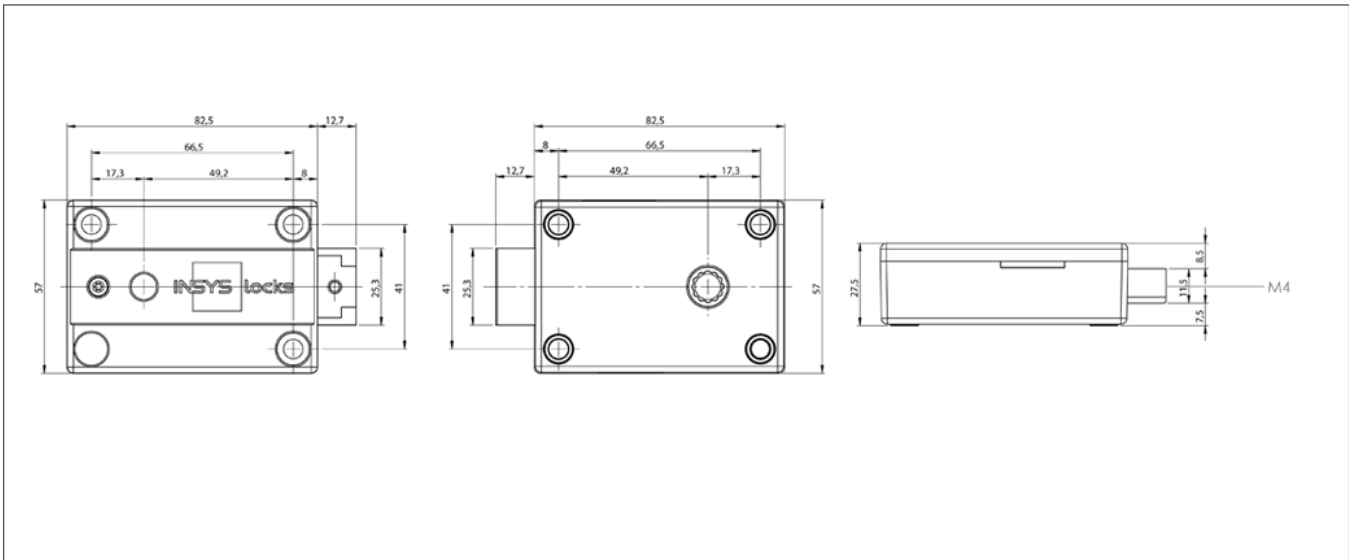


Extension unit
PowerXT
(with CombiLock RFID)

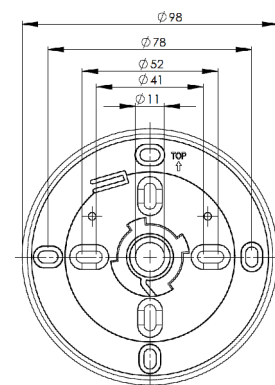
CombiLock

Technical Installation

Lock INSYS Lock 200



Bolt stroke	12 mm
Drag/push force	manual
Lock weight	approx. 370 g
Spindle	Length: 160 mm, diameter: 10.4 mm
Slim spindle (optional for retrofit)	Length: 165.5 mm, diameter: 8 mm



Hole pattern of CombiControl CL38 base plate

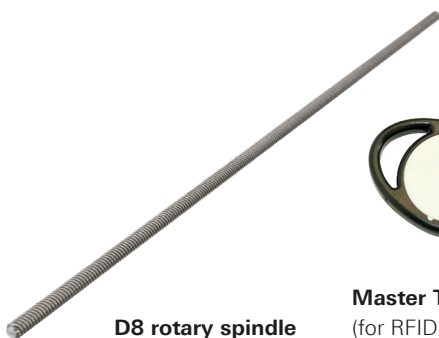
Dimensions


CombiControl CL38 operating unit

Diameter	98 mm
Depth	28.5 mm
Weight	approx. 104 g
Number of mounts	4

Optional


Extension unit
and blocking device
CombiXT
(except simplex)


D8 rotary spindle


Master TAG
(for RFID systems)


**Transponder card
or keyring pendant**
(for RFID systems)



Configuration tool
CombiComm
Configuration and
reading the log of
lock systems via
notebook or PC

© INSYS 2019 - Subject to technical changes and correction