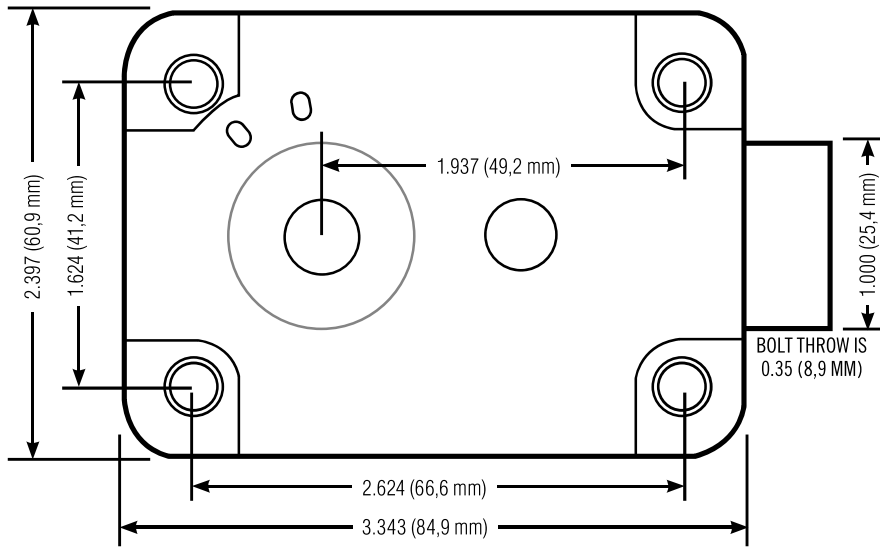


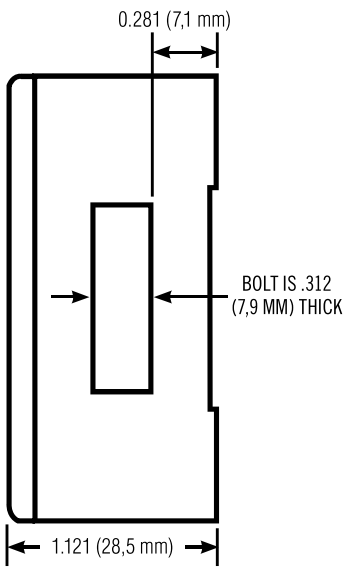
SARGENT AND GREENLEAF®

One Security Drive, Nicholasville, Kentucky 40356 USA

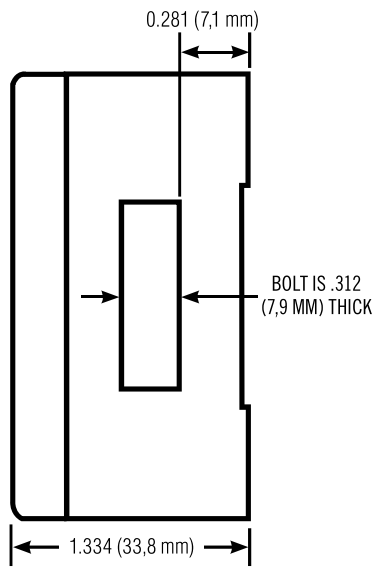
DIMENSIONS—STANDARD SIZE MECHANICAL LOCK CASE



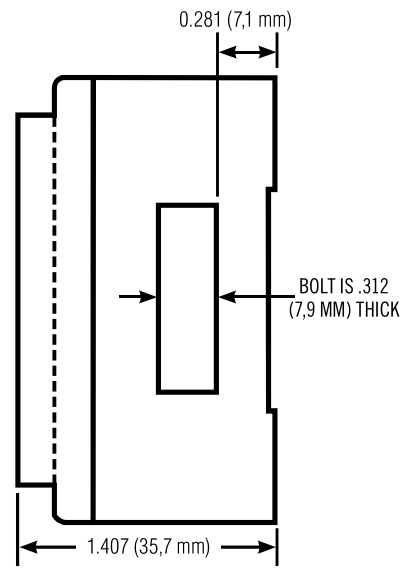
THE DIMENSIONS LISTED ABOVE ARE VALID FOR ALL 2937, 6600, 6700, 8400, AND 8500 SERIES LOCKS.



2937, 6600, AND 6700, 8500 SERIES 3-WHEEL LOCKS



6600 AND 6700 SERIES 4-WHEEL LOCKS



8400 SERIES 3-WHEEL LOCKS